

# SLEEVED PLUG VALVE



## FEATURES

- Tight Shut-off for liquids as well as gases
- Reliable performance and long life
- Maintenance cost is very low
- Suitable even for solidifying media due to absence of cavities inside the valve body
- Any kind of lubrication is not required

## SPECIFICATIONS

### Codes & Standards

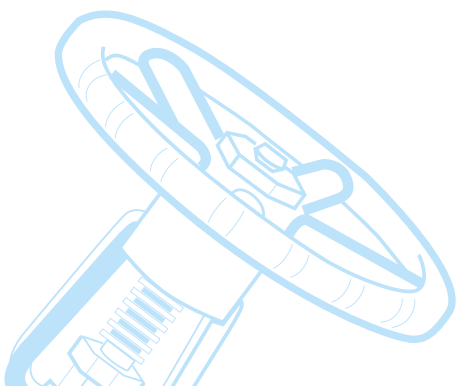
• General design & mfg	ASME B 16.34
• Face to face dimensions	ASME B 16.10
• Inspection and testing	API 598
• Flange Drilling	ASME B 16.5

### Technical Specifications

• Valve type	Sleeved Plug Valve
• End connection	Flanged End/ Other upon request
• Size range	DN 15 to DN 300
• Pressure rating	Class 150 / 300
• Operation	Handlever / Gear / Actuated (Pneumatic / Electric)
• Actuator Mounting	ISO 5211

### Standard Material of Construction (MOC)

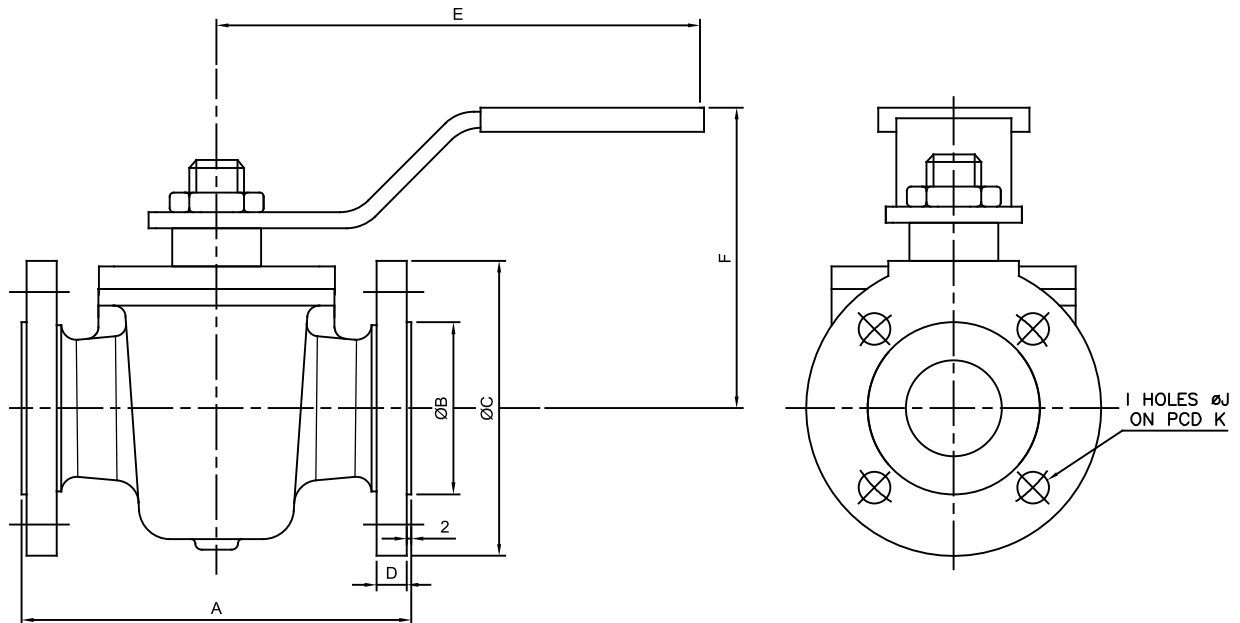
• Body Plug	D.I. / WCB / CF8 / CF8M / CF3M
• Sleeve	PTFE
• Cover	WCB / CF8 / CF8M
• Fasteners	B7 / B8 / B8M
• Lever	Carbon Steel





# SLEEVED PLUG VALVE

## GENERAL ARRANGEMENT



VALVE SIZE	A	ØB	ØC	D	E	F	I	ØJ	K
15MM	108	35	90	8	140	82	4	16	60.3
20MM	118	43	100	8.9	140	90	4	16	69.9
25MM	127	51	110	9.6	175	101	4	16	79.4
40MM	165	73	125	12.7	250	125	4	16	98.4
50MM	178	92	150	14.3	315	148	4	19	120.7
65MM	190	105	180	15.9	315	153	4	19	139.7
80MM	203	127	190	17.5	315	160	4	19	152.4
100MM	229	157	230	22.3	380	171	8	19	190.5
150MM	267	216	280	23.9	G	G	8	22	241.3
200MM	292	270	345	27.0	G	G	8	22	298.5
250MM	330	324	405	28.6	G	G	12	25.4	362.0
300MM	356	381	485	30.2	G	G	12	25.4	431.8

## About IPC Valves and Valve Automation

IPC offers comprehensive range of valve and valve automation solutions that meet all your needs in a reliable and cost effective manner. A long and proven track record in catering to various industrial sectors such as Chemical, Pharma, Oil & Gas, Power and Fertilizers through its solutions is the key strength of IPC.



**INTEGRAL PROCESS CONTROLS INDIA PVT. LTD.**

**Registered Office & Works**

W-55, S Block, MIDC, Bhosari, Pune - 411026, Maharashtra, India.

☎ +91 20 66304580 / 83 ✉ sales.ipc@ipcvalves.com 🌐 www.ipcvalves.com

CIN: U29120PN2010PTC136972

