

3 WAY FLOATING BALL VALVE (L-PORT & T-PORT)



FEATURES

- ISO 5211 Mounting Pad Allows for mounting of actuator.
- Maintenance free live loaded double sealing stem packing ensures high cycles life and positive sealing.
- Blow-Out Proof Stem.
- Full Bore body, avoids clogging and ensures smooth flow when handling slurries and solid.
- Body cavity fillers available.
- Low emission packing.
- Seating is available for all 3 ports.

SPECIFICATIONS

Codes & Standards

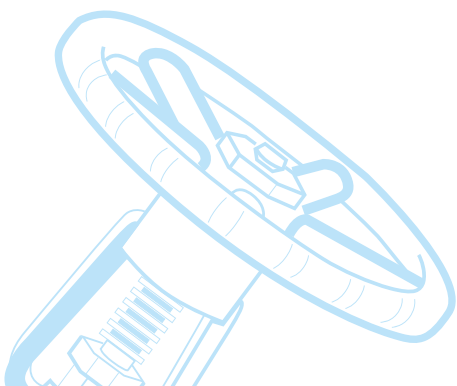
• General design & mfg	BS EN ISO 17292 / ASME B 16.34
• Valve face to face dimensions	MANUFACTURING STANDARD
• Flange drilling	ASME B16.5
• Top ange drilling	ISO 5211
• Valve inspection and testing	API 598 / ISO 5208

Technical Specifications

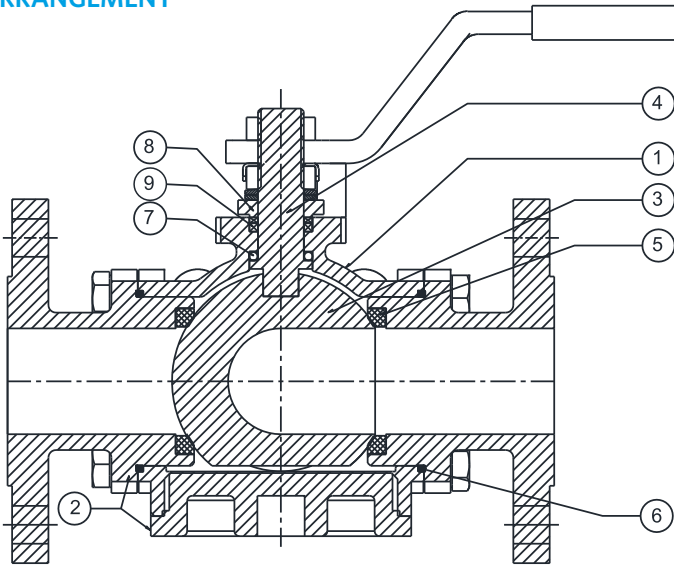
• Valve type	3 Way L-Port / T-Port Floating ball valve
• Seat type	Softseat
• End Connection	Flanged / Screwed / Socket Weld End
• Size range	1/2 " to 6"
• Pressure rating	Class 150 , 300
• Operating temp. range	-38° C to 200° C (soft seated)
• Seat leakage	Class VI - Soft seat, Class V - Metal seat
• Operation	Handlever / Gear / Actuated (Pneumatic / Electric)

Standard Material of Construction (MOC)

• Valve Body	WCB / CF8 / CF8M / CF3M
• Ball	SS304 / SS316 / SS316L / SS304L
• Stem	SS304 / SS316 / SS316L / SS304L
• Seat	PTFE / GFT / CFT

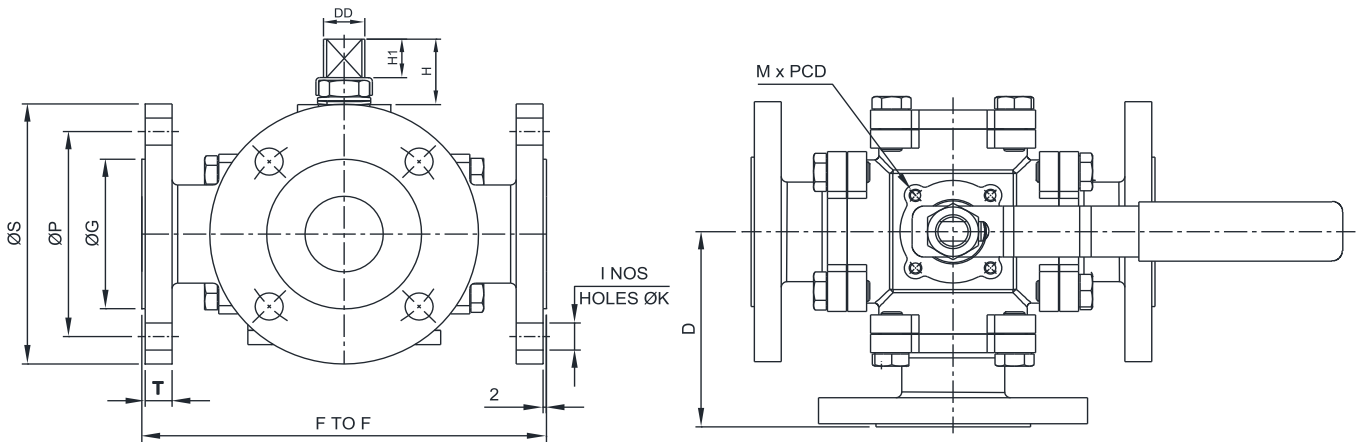


GENERAL ARRANGEMENT



Sr. No	Part Name	Material	Qty
01	Body	WCB / CF8M / CF8 / CF3M	01
02	Side Adaptor / bottom plate / blind adaptor	WCB / CF8M / CF8 / CF3M	02
03	Ball	SS304 / SS316 / SS316L	01
04	Stem	SS304 / SS316 / SS316L	01
05	Seat	RPTFE	02
06	Body Gasket	GRAPHITE	02
07	Stem Seal	VITON	02
08	Gland	SS410	01
09	Gland Packing	GRAPHITE	02
10	Stud	ASTM A193 GR.B7 / B8 / B8M	1 SET
11	Nuts	ASTM A194 GR.2H / 8 / 8M	1 SET

VALVE DIMENSIONS DATA

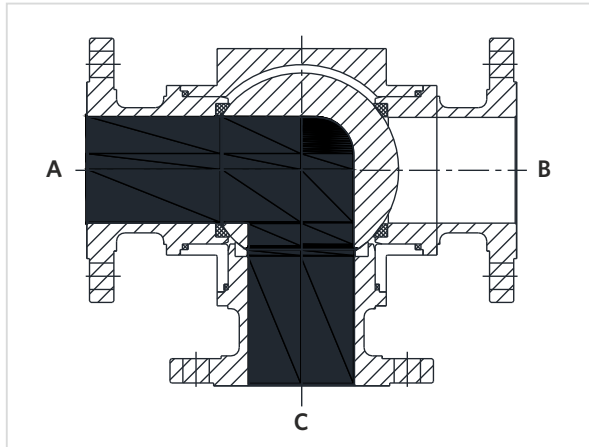


Valve size	FTO F	ØG	ØP	ØS	D	T	I	ØK	DD	H	H1	MxPCD
25MM	165	50.8	79.4	110	82.5	12.7	4	15.9	Ø14x9.5	26	13	M6x50 PCD
40MM	190	73	98.4	125	95	15.9	4	15.9	Ø16x12	32	13	M6x50 PCD
50MM	216	92.1	120.7	150	108	17.5	4	19	Ø18x12	28	15	M8x70 PCD
80MM	310	127	152.4	190	155	22.3	4	19	Ø24x16	40	20	M10x102 PCD
100MM	350	157.2	190.5	230	175	22.3	8	19	Ø30x22	57	24	M10x102 PCD
150MM	425	215.9	241.3	280	212.5	23.9	8	22	Ø58x46	117	79	M14x140 PCD

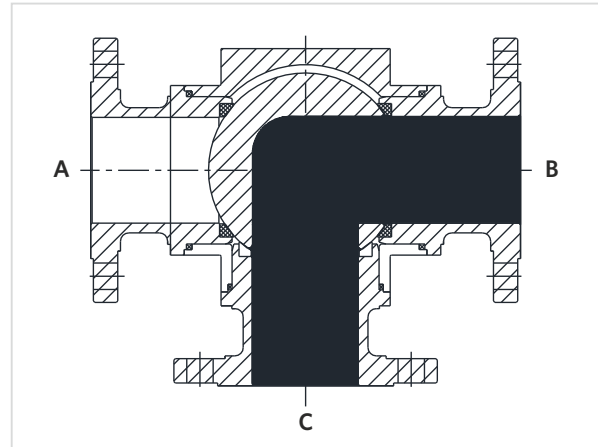
● Note:- All Dimensions are in mm

PORT CONFIGURATION

3 WAY L-PORT CONFIGURATION

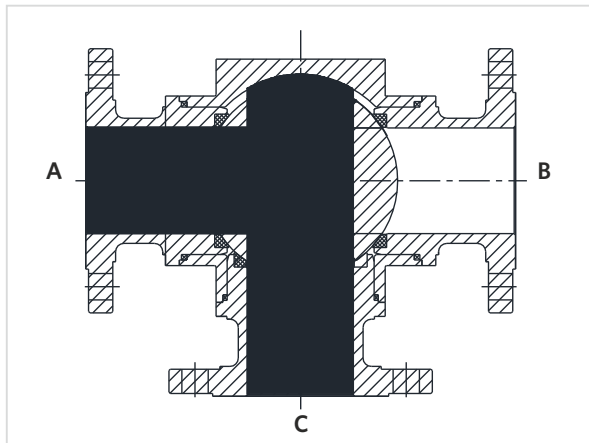


0° POSITION

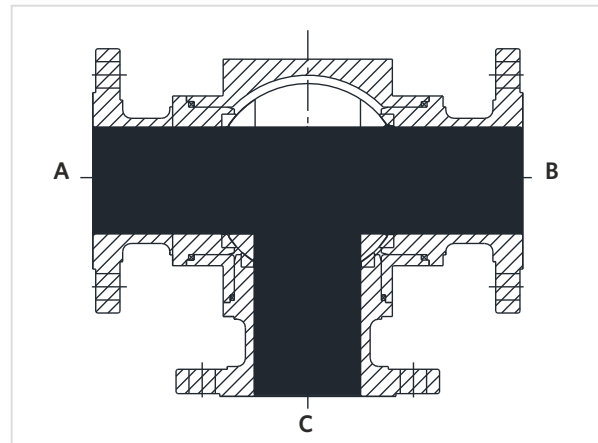


90° POSITION

3 WAY T-PORT CONFIGURATION



0° POSITION



90° POSITION

● For screwed end and socket weld end contact to factory

About IPC Valves and Valve Automation

IPC offers comprehensive range of valve and valve automation solutions that meet all your needs in a reliable and cost effective manner. A long and proven track record in catering to various industrial sectors such as Chemical, Pharma, Oil & Gas, Power and Fertilizers through its solutions is the key strength of IPC.



INTEGRAL PROCESS CONTROLS INDIA PVT. LTD.

Registered Office & Works

W-55, S Block, MIDC, Bhosari, Pune - 411026, Maharashtra, India.

☎ +91 20 63103900 (30 Lines) ✉ sales.ipc@ipcvalves.com 🌐 www.ipcvalves.com

CIN: U29120PN2010PTC136972