

# FLAMEPROOF LIMIT SWITCH BOX SERIES (FPB)



IPC make Series-FPB limit switch boxes are designed for the use in various types of industries together with various type of quarter turn pneumatic Actuators to give end of stroke (eg. open/close) feedback. It is also used on linear actuator by using proper linkage arrangement.

The IPC make Series-FPB limit switch box consists of a visual position indicator, quick-set cam assembly, terminal strip, switch assembly and easy mounting bracket. Quick-set cam allows for a quick and simple hand operation for the setting of switches. These devices provide a ready to mount solution by using the integrated Namur mounting kit.

## FEATURES

- Epoxy coated aluminium body and stainless steel shaft makes this unit ideal for use in hostile environment
- Easily adjustable serrated cams allow a very quick and fine, tool free switch adjustment
- FPB Series Box has a large two color position indicator which makes it easy to see actual valve position from the top as well as all sides
- Complies to NAMUR Mounting standards
- Various options cable entries are available (eg. 1/2" NPT, M20 x 1.5P, 3/4" NPT etc.)
- FPB can be provided with optional extra terminal strip for external solenoid valve connection
- FPB can be provided with different types of switches: SPDT, DPDT, Hermetically sealed electromechanical, inductive proximity etc.
- FPB can be provided with position transmitter arrangement having output signal of 4 to 20mA.
- Range of Mounting Accessories having the compatibility with the various Actuator manufacturers available
- A stainless steel bracket is available as an option
- Temperature range -20 °C to +60 °C
- IP 66 & IP 67: Water, Rain and Dust Proof
- Ex db IIC T6 Gb & Ex tb IIIC T85°C Db IP 66/ IP 67: Suitable for Zone 1, 2, 21 & 22 hazardous areas for gas and dust

## SPECIFICATIONS

### Materials

● Body	Aluminium, SS on request
● Cover	Aluminium, SS on request
● Shaft	Stainless steel

### Electrical Rating

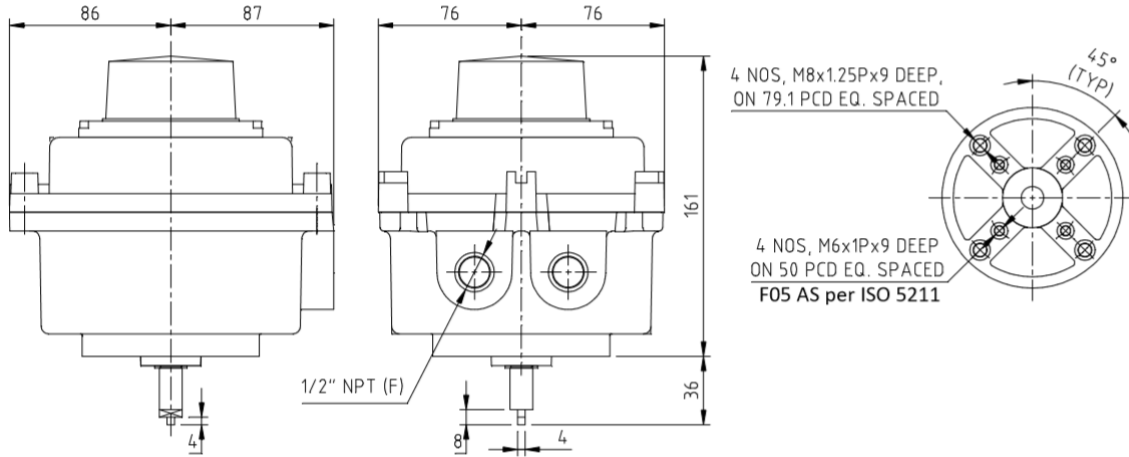
Electrical	
● Standard	10A - 250 VAC; 0.5A - 250 VDC
● Options	Available according to type of switches

## SPECIAL FEATURE



FPB With  
Position Transmitter  
Arrangement

# FLAMEPROOF LIMIT SWITCH BOX SERIES (FPB)



## Ordering Options

FPB F 1 2 H 1 3 01 0

DIGIT	DOME COLOUR
0	RED+GREEN
1	RED+YELLOW

Switch Type			
DIGIT	Switch Type	Rating	Max. Qty. installed
01	SPDT Electromech	10A - 250 VAC; 0.5A - 250 VDC	4
02	SPDT Electromech (gold plated)	1A - 125 VAC	4
03	SPDT Hermetically sealed gold plated	4A - 115 VAC - 400Hz, 4A - 28 VDC	4
04	Inductive sensor NCB2-V3-N0	1A - 8.2 VDC	4
05	Proximity SJ3.5-N	1A - 8.2 VDC	4
06	Proximity NJ2-V3N	1A - 8.2 VDC	4
07	Proximity SJ3.5-SN	1A - 8.2 VDC	4
08	Inductive sensor NBB3-V3-Z4	4 to 100 mA; 5 to 60 VDC	4
09	Proximity NJ5-18GM40	1A - 8 VDC	4
10	DPDT Electromech	10A - 250 VAC; 0.5A - 250 VDC	2
11	ROTARY POSITION SENSOR (TRANSMITTER)*	≤ 16mA; 15 - 30V (Output : 4-20 mA)	1

DIGIT	Certification
3	IP 67 / IP 66 WEATHER PROOF
4	FLAME PROOF IIC+PESO, IP 66/67
6	FLAME PROOF IIC & IIIC+ATEX, IP 66/67
7	FLAME PROOF IIC & IIIC+IECEX, IP 66/67

DIGIT	Material
1	Aluminum
2	Stainless steel CF8
3	Stainless steel CF8M

DIGIT	Cable Entries
H	1/2" NPT (2 nos.) - Standard
Q	3/4" NPT (2 nos.) - Optional
M	M20 x 1.5P (2 nos.) - Optional

DIGIT	Switch Type
1	MICRO SWITCHES (SPDT/SPST/DPDT)
2	PROXIMITY SENSORS- CYLINDRICAL / SLOTTED (NO / PNP / NC)
3	ROTARY POSITION SENSORS (TRANSMITTER)*

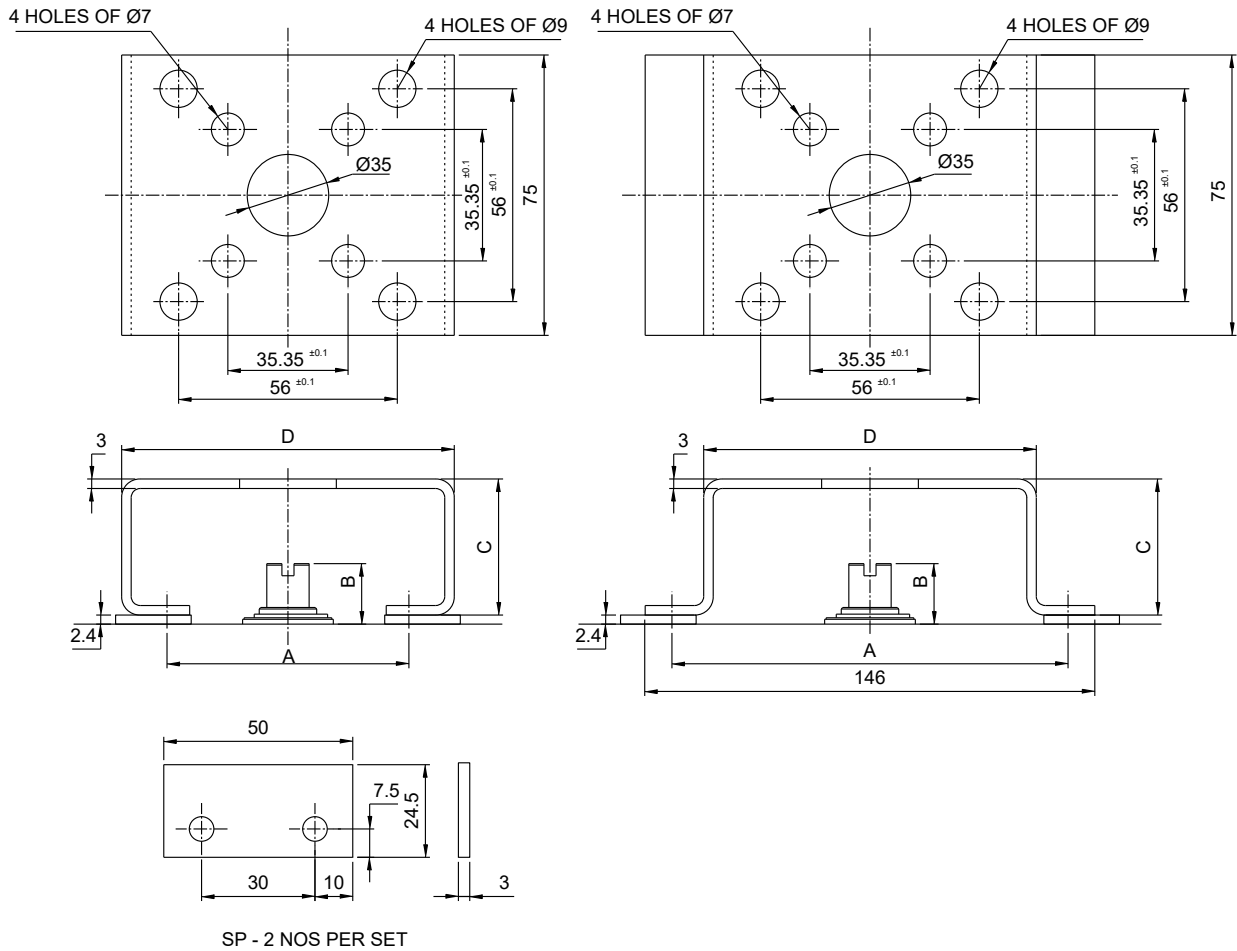
DIGIT	Switch Quantity
1	FOR 1 NO OF SWITCH
2	FOR 2 NOS. OF SWITCHES
3	FOR 3 NOS. OF SWITCHES
4	FOR 4 NOS. OF SWITCHES

● These are the available standard options, for any special requirement consult factory.



# LIMIT SWITCH BOX SERIES (FPB)

## Mounting Kit



### Mounting kit ordering options

**MK01**

**SP**

**Y**

Bracket Model Nos.				
KIT NO.	A	B	C	D
MK01	80	20	46	111
MK02	80	30	56	111
MK03	130	30	56	105
MK04	130	50	75	160
MK05	130	47	72	160

DIGIT	Hardware Requirement
Y	With Hardware
N	Without Hardware

DIGIT	Support Plate Requirement
00	Without Support Plate
SP	With Support Plate

**Note:**  
MOC of Mounting Bracket - CS Powder Coated or Stainless Steel Brackets can be provided on request.

## About IPC Valves and Valve Automation



IPC offers comprehensive range of valve and valve automation solutions that meet all your needs in a reliable and cost effective manner. A long and proven track record in catering to various industrial sectors such as Chemical, Pharma, Oil & Gas, Power and Fertilizers through its solutions is the key strength of IPC.

### SECTORS WE SERVE



Chemical



Pharma



Oil & Gas



Power



Fertilizers



INTEGRAL PROCESS CONTROLS INDIA PVT. LTD.

Registered Office & Works

W-55, S Block, MIDC, Bhosari, Pune - 411026, Maharashtra, India.

+91 20 63103900 (30 Lines) ✉ sales.ipc@ipcvalves.com 🌐 www.ipcvalves.com

CIN: U29120PN2010PTC136972