

# JACKETED BALL VALVE



## FEATURES

- Blow out proof stem
- Sturdy, light weight and compact design
- Actuator mounting pad as per ISO 5211 to ensure compatibility with all standard actuators
- Well designed jacket helps circulation of high pressure heating and cooling media
- Negligible pressure drop across the valve
- Various types of jacketing material can be provided
- Enough clearance is available between jacket and bolt holes to ensure easy mounting on pipelines

## SPECIFICATIONS

### Codes & Standards

● General design & mfg	ISO 17292 / ASME B 16.34
● Face to face dimensions	ASME B 16.10 / MANUFACTURER'S STANDARD
● Actuator mounting	ISO 5211
● Inspection and testing	API 598 / BS EN 12266 Part 1
● Flange drilling	ASME B16.5

### Technical Specifications

● Valve type	Floating Ball Valve with Jacket
● Seat type	Soft Seated
● End Connection	Flanged End
● Size range	DN 25 to DN 150
● Pressure rating	Class 150
● Operating temp. range	-29°C to 200°C
● Seat leakage	Tight shut off (Bi-directional)
● Operation	Handlever / Gear/Actuated (Pneumatic / Electric)

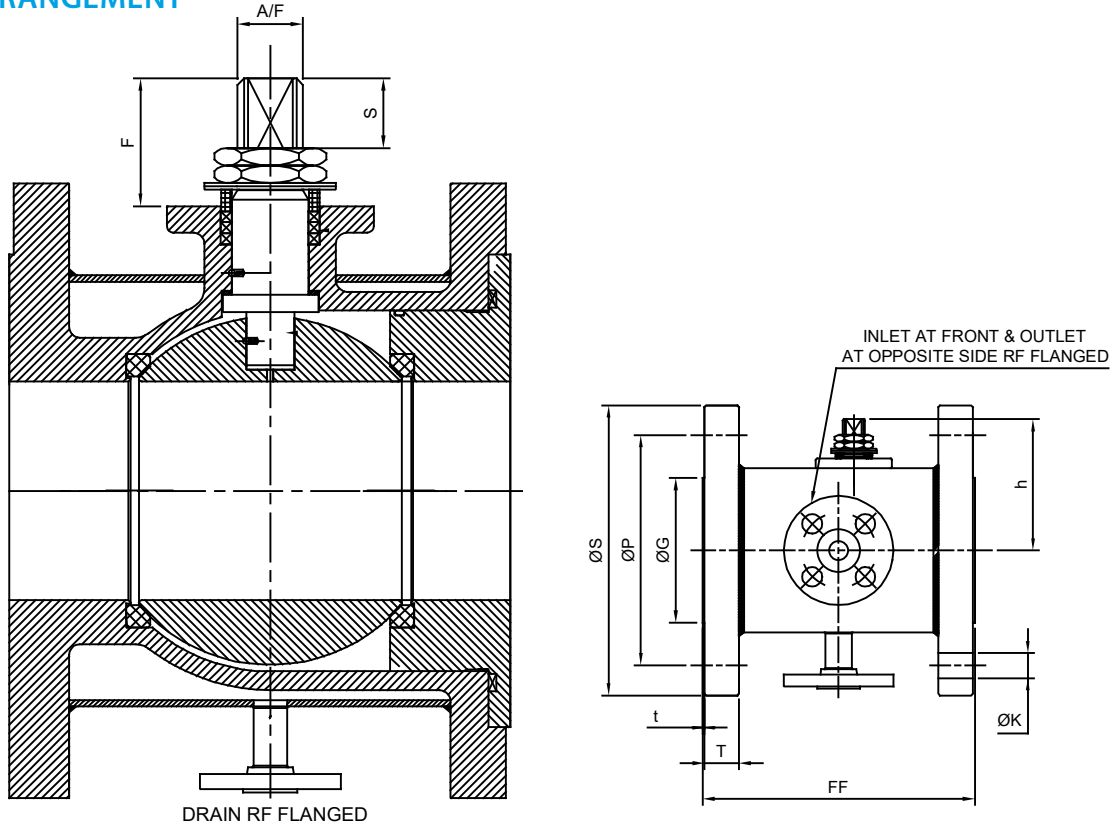
### Standard Material of Construction (MOC)

● Valve Body	WCB / CF8 / CF8M
● Ball	SS304 / SS316
● Seat	PTFE / RPTFE / DEVLON / PEEK
● Stem	SS304 / SS316 / SS410 / 17-4PH



# JACKETED BALL VALVE (2-WAY & 3-WAY)

## GENERAL ARRANGEMENT



VALVE SIZE	FLANGE SIZE	CLASS	LENGTH FF	FLANGE OD ØS	PCD ØP	HOLE DIA. ØK	NO. OF HOLES	FLANGE THK. T	RF OD ØG	RF THK. t	INLET OUTLET DRAIN	h ±2	S ±1	A/F	ISO MOUNT	F ±2
DN25	DN40	150	127	125	98.4	15.6	4	12.7	73.0	2	1/2"	55	8.5	M12x8	F03	17.5
DN40	DN50	150	165	150	120.7	19.0	4	14.3	92.1	2	1/2"	85	12.0	M16x10	F05	32.5
DN50	DN80	150	178	190	152.4	19.0	4	17.5	127.0	2	3/4"	95	12.0	M18x12	F07	32.0
DN80	DN100	150	203	230	190.5	19.0	8	22.3	157.2	2	3/4"	113	14.0	M20x14	F07	32.0
DN100	DN150	150	229	280	241.3	22.3	8	23.9	215.9	2	3/4"	153	22.0	M24x16	F07	43.0
DN150	DN200	150	267	345	298.5	22.3	8	27.0	269.9	2	1"	234	45.0	M39x24	F10	72.0

## About IPC Valves and Valve Automation

IPC offers comprehensive range of valve and valve automation solutions that meet all your needs in a reliable and cost effective manner. A long and proven track record in catering to various industrial sectors such as Chemical, Pharma, Oil & Gas, Power and Fertilizers through its solutions is the key strength of IPC.



**INTEGRAL PROCESS CONTROLS INDIA PVT. LTD.**

**Registered Office & Works**

W-55, S Block, MIDC, Bhosari, Pune - 411026, Maharashtra, India.

☎ +91 20 66304580 / 83 ✉ sales.ipc@ipcvalves.com 🌐 www.ipcvalves.com

CIN: U29120PN2010PTC136972

