

WEATHERPROOF LIMIT SWITCH BOX SERIES (WPB)



IPC make Series - WPB limit switch boxes are designed for the use in various types of industries together with various type of quarter turn pneumatic actuators to give end of stroke (eg. open/close) feedback. It is also used on linear actuator by using proper linkage arrangement.

The IPC make Series-WPB limit switch box consists of a visual position indicator, quick-set cam assembly, terminal strip, switch assembly and easy mounting bracket. Quick-set cam allows for a quick and simple hand operation for the setting of switches. These devices provide a ready to mount solution by using the integrated Namur mounting kit.

FEATURES

- Glass filled nylon body to avoid corrosion
- Easily adjustable and tool free serrated cams allow a very quick and fine switch adjustment
- WPB series limit switch boxes have a standard large two color position indicator which is easily visible both from side and top of the valve
- Complies to NAMUR Mounting standard – VDI / VDE 3845
- Various options of Cable entries are available like 1/2" NPT, M20x1.5P, etc.
- WPB can be provided on request with an extra terminal strip for external solenoid valve connection
- Various switch options are available like micro-switches, inductive proximity sensors, etc.
- Available with mounting accessories which are compatible with various actuator makes
- Optional stainless steel bracket can be provided. Temperature range -20 °C to +80 °C
- Ingress Protection levels as per IP 67 and IP 68 are available
- Aluminium body provides good mechanical strength.

SPECIFICATIONS

Materials

● Body	Glass filled Nylon / Aluminium
● Cover	Glass filled Nylon / Aluminium
● Shaft	Stainless steel SS304 (other materials on request)

Electrical Rating

Electrical	
● Standard	15A- 250 VAC; 0.5A -250 VDC
● Options	Available according to type of switches



LIMIT SWITCH BOX SERIES (WPB)

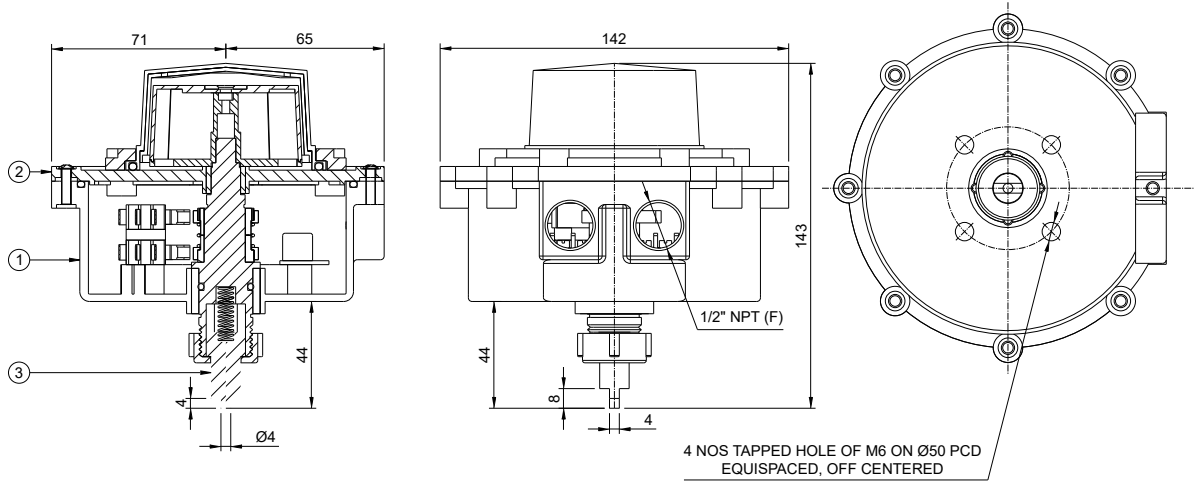


Figure 1 (Nylon Enclosure)

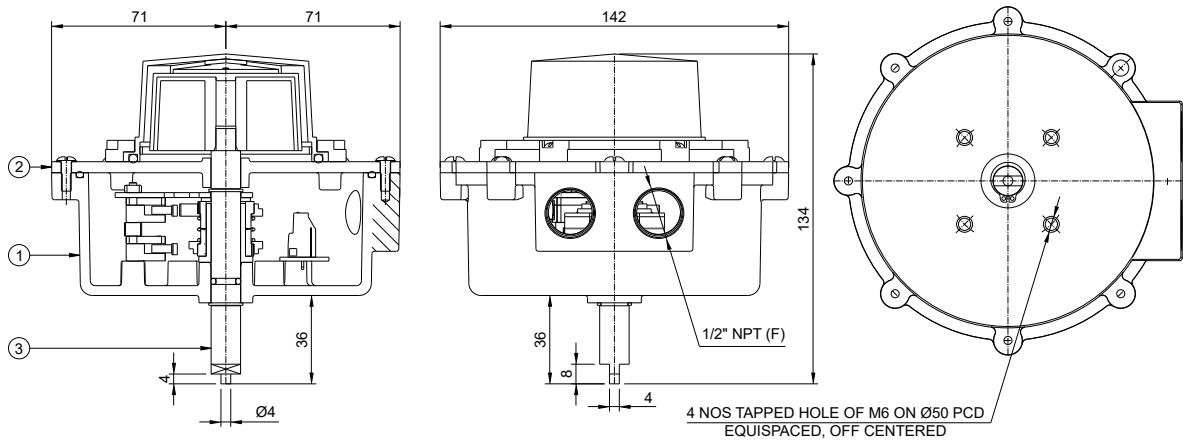


Figure 2 (Aluminium Enclosure)

Part No.	Description
1	Body
2	Top Cover
3	Shaft

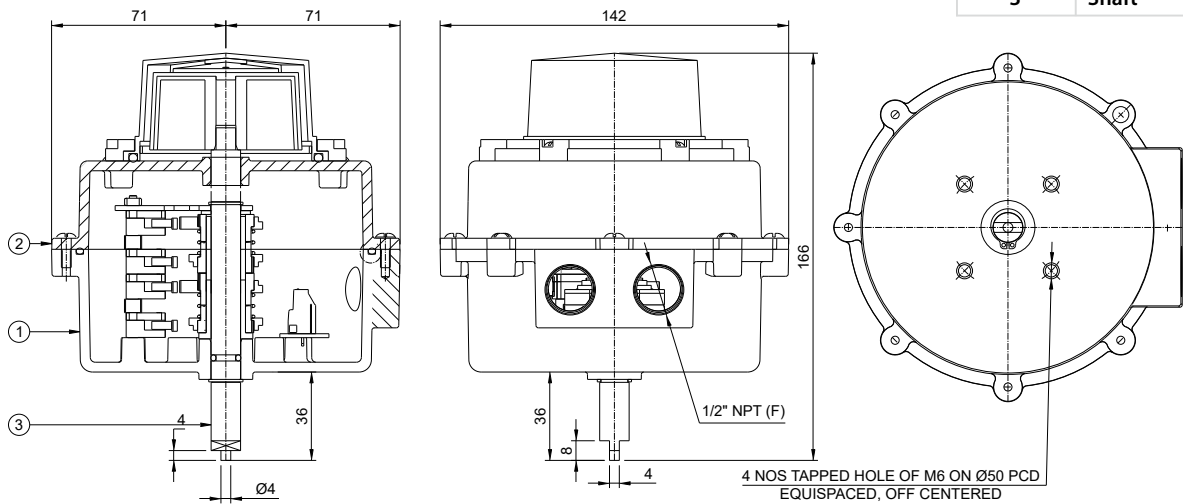
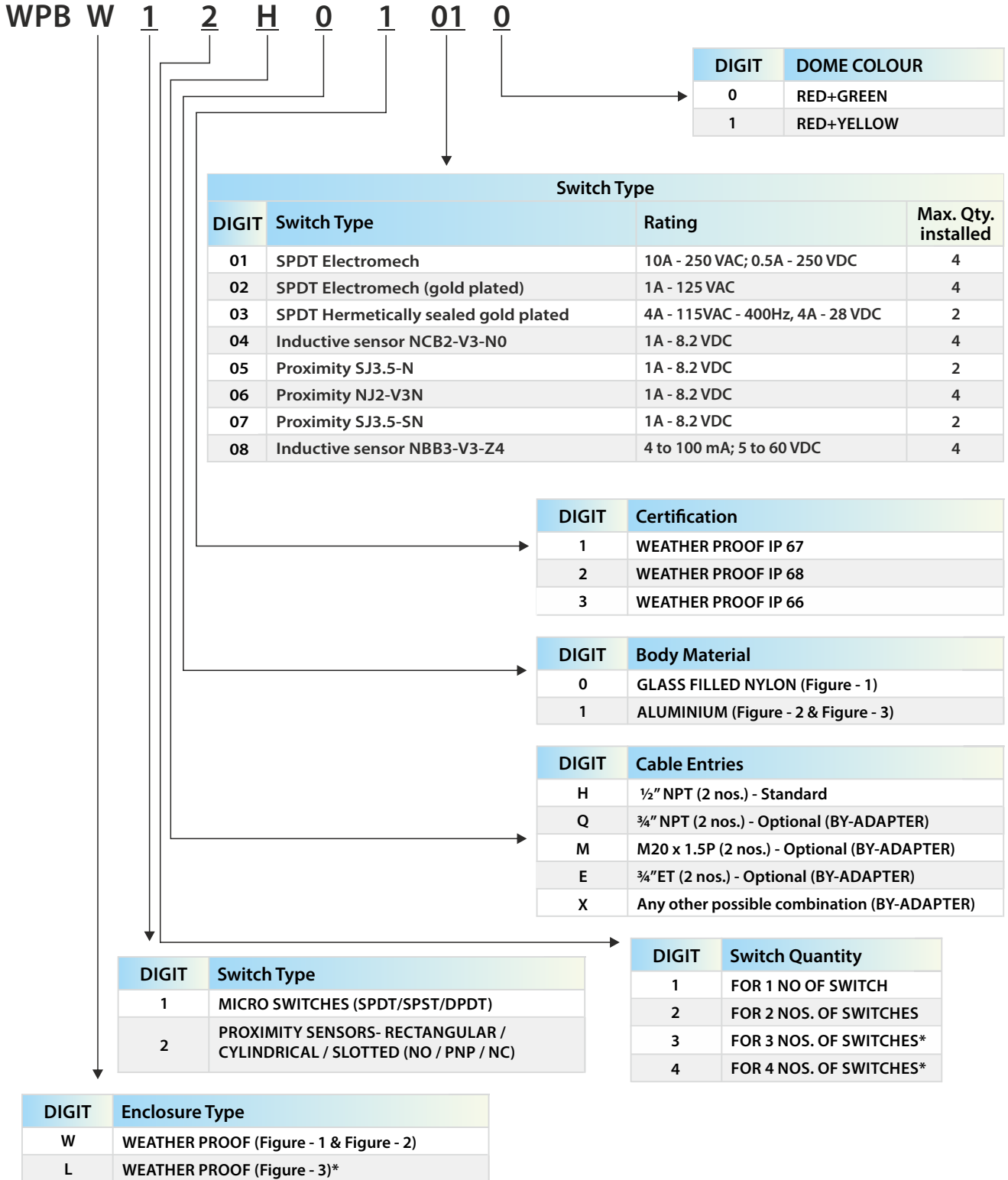


Figure 3 (Aluminium Enclosure For 4 nos. Switches)



LIMIT SWITCH BOX SERIES (WPB)

Ordering Options

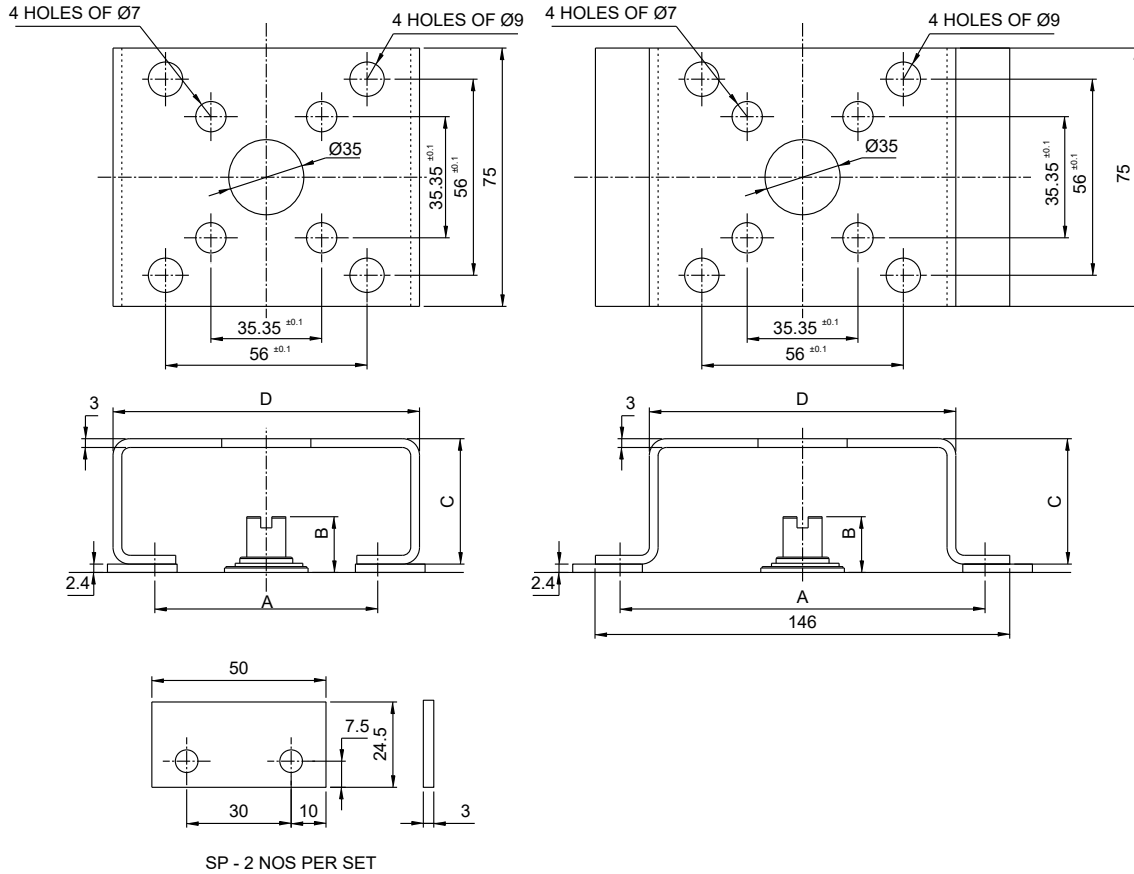


*These options are available for aluminium enclosures only.

● These are the available standard options, for any special requirement consult factory.

LIMIT SWITCH BOX SERIES (WPB)

Mounting Kit



Mounting kit ordering options

MK01

SP

Y

Bracket Model Nos.				
KIT NO.	A	B	C	D
MK01	80	20	46	111
MK02	80	30	56	111
MK03	130	30	56	105
MK04	130	50	75	160
MK05	130	47	72	160

DIGIT	Hardware Requirement
Y	With Hardware
N	Without Hardware

DIGIT	Support Plate Requirement
00	Without Support Plate
SP	With Support Plate

Note:
MOC of Mounting Bracket - CS Powder Coated or Stainless Steel Brackets can be provided on request.

About IPC Valves and Valve Automation

IPC offers comprehensive range of valve and valve automation solutions that meet all your needs in a reliable and cost effective manner. A long and proven track record in catering to various industrial sectors such as Chemical, Pharma, Oil & Gas, Power and Fertilizers through its solutions is the key strength of IPC.



INTEGRAL PROCESS CONTROLS INDIA PVT. LTD.

Registered Office & Works

W-55, S Block, MIDC, Bhosari, Pune - 411026, Maharashtra, India.

☎ +91 20 63103900 (30 Lines) ✉ sales.ipc@ipcvalves.com 🌐 www.ipcvalves.com

CIN: U29120PN2010PTC136972